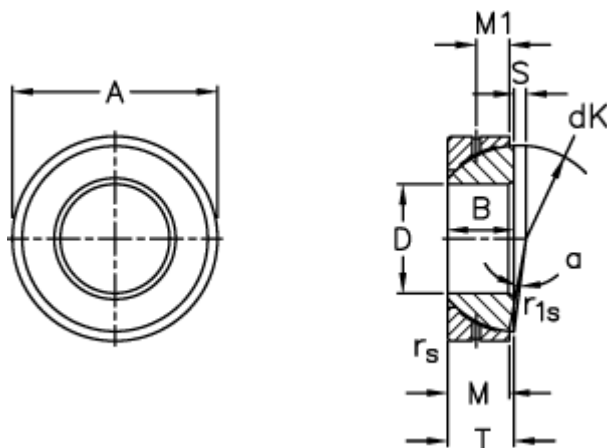


Article number: 03509170

Description: Fluro Rod end GE 170SX

Measures



A	= 260 0 -0,035	S	= 21
B	= 57	Static load C0 (kN)	= 5500
D	= 170 0 -0,025	T	= 57 +0,35 -0,70
dK	= 246	Tilt angle	= 1
Dynamic load C (kN)	= 1100	Weight	= 12300
M	= 55		
M1	= 27		
rs, r1s min	= 3		